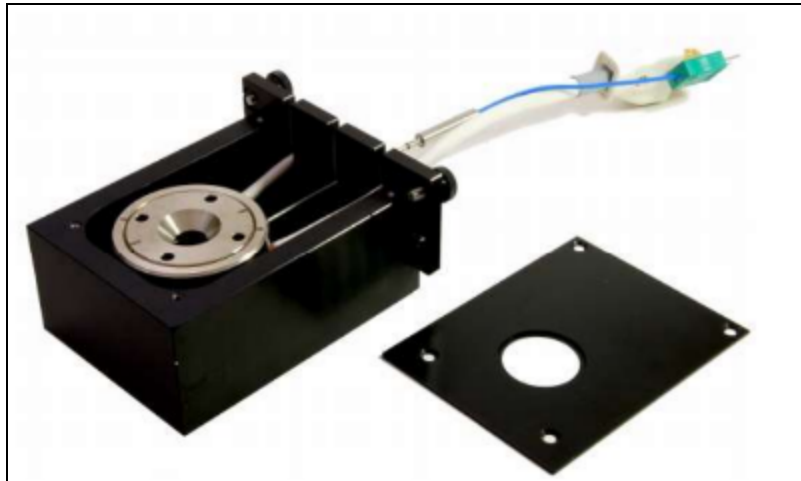


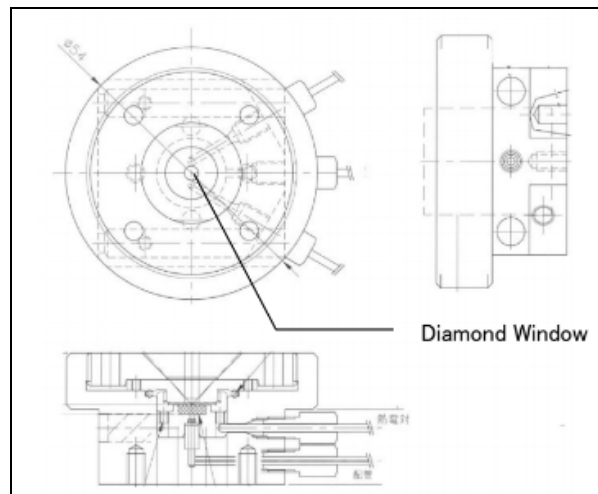
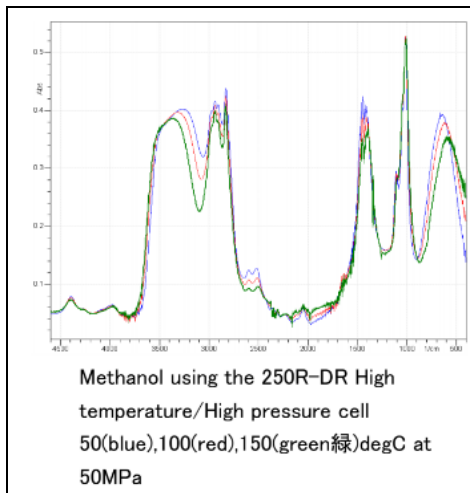
High Temperature High Pressure Chamber for supercritical water 250R-DR

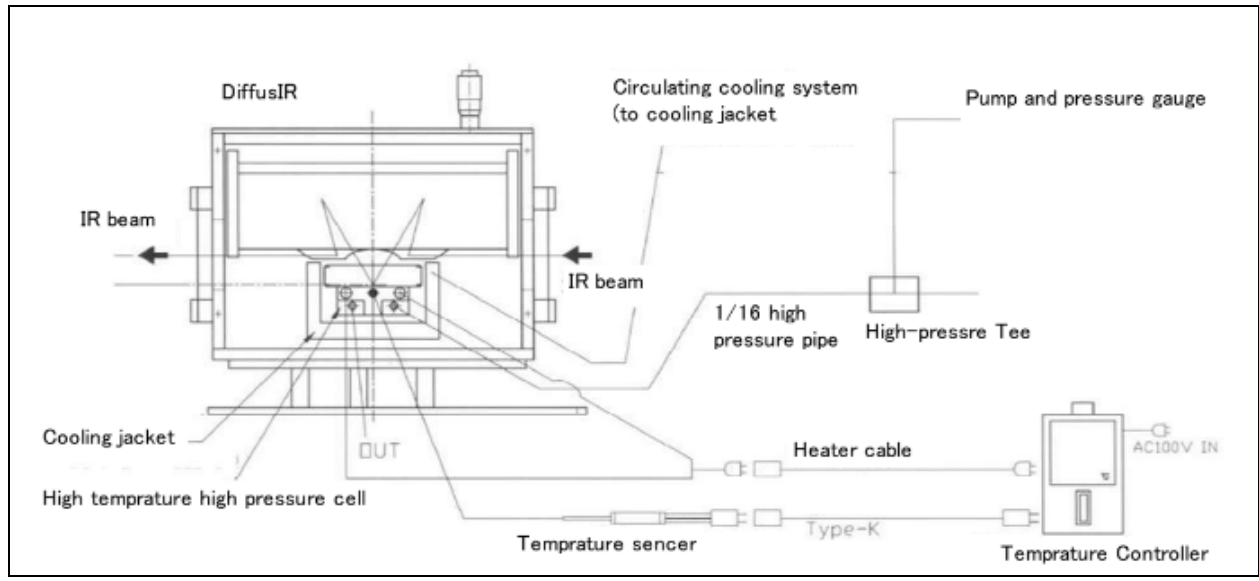
250R-DR is high temperature and high pressure compact chamber, one is used for Supercritical Water with temperature ranges upto 400 degree C and max pressure upto 50 MPa and the other is used for Supercritical Carbon dioxide. We can also provide sapphire window for UV-V and Raman spectroscopy. High pressure hand pump, coolant jacket, temperature controller, pressure control system, high-pressure pipes and pressure release valve for the chamber. High temperature and high pressure compact chamber can be kept in diffuse reflectance accessory of FTIR which is easy to set and remove. Diamond is used in standard window.



These chambers are compact and easy to set and remove from DiffuseIR accessory.

We are providing high-pressure hand pump, coolant jacket, temperature controller, pressure control system, high-pressure pipes, and pressure release valve for the chamber.





Options:



Specifications

Cell model STJ-250R-DR
50MPa

Maximum temperature: 400 °C

Maximum high pressure

Cell model STJ-250R-DR-L
30MPa

Maximum temperature: 250 °C

Maximum high pressure

Window

Diamond (Sapphire also available)

Cell body

Hastelloy (SUH660, Inconel 625 also Available)

Temperature sensor
Heater 100V—166W

High-pressure sheath type thermocouple (Type-K)
Temperature controller PID control

ORDERING INFORMATION

Part Number

Description

STJ-250R-DR

High Temperature High Pressure Cell 400°C/50MPa
High Temperature High Pressure Cell., Temperature controller, Diamond

window

STJ-250R-DR-L

High Temperature High Pressure Cell 250°C/30MPa
High Temperature High Pressure Cell., Temperature controller, Diamond

window

**Please ask about Pressure gauge, High-pressure piping, High-pressure hand pump etc.